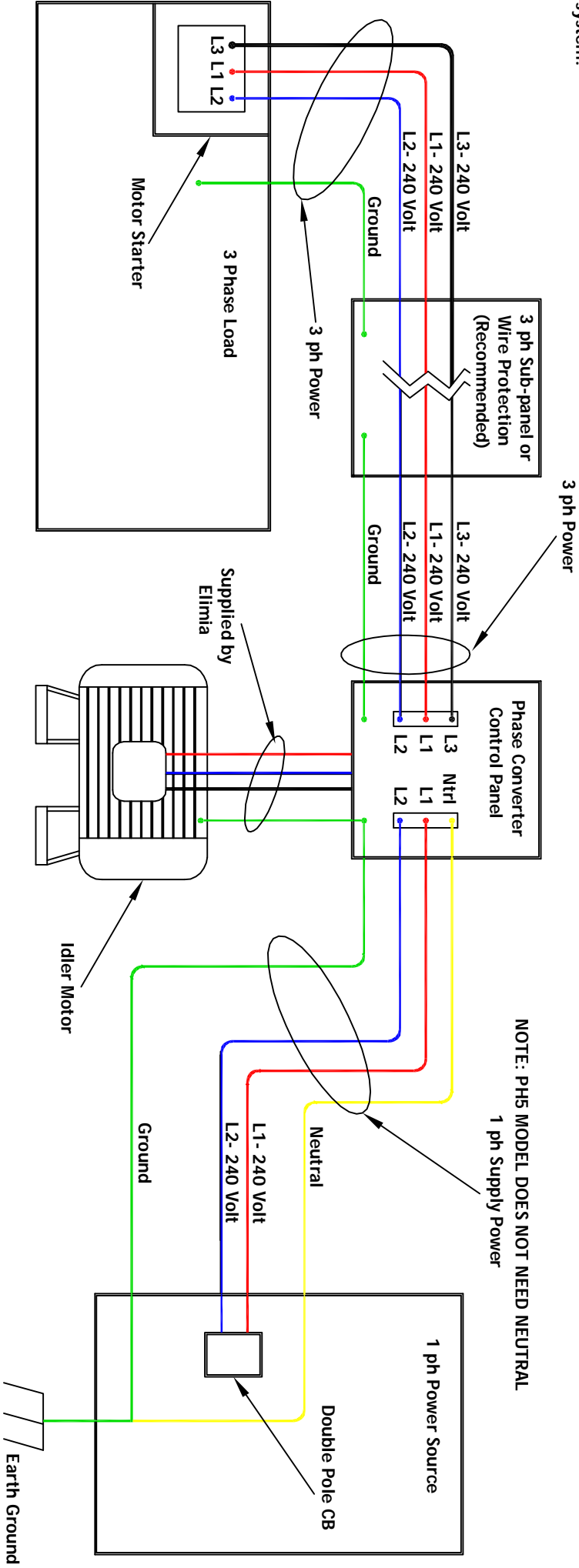


Notes:  
 Replace 240V with 480V for high voltage applications. Phase converter must be rated for 480V to apply. Shown as complete system.

Elimia Generic Wiring Diagram



NOTE: PHS MODEL DOES NOT NEED NEUTRAL  
 1 ph Supply Power

